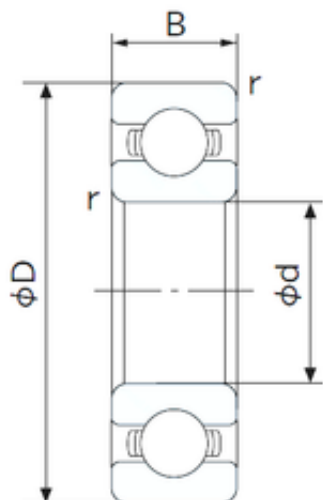




## China 608z Bearing Supplier



6310 6311 6312 6313 6314 6315-O&Kai SKF  
NSK NTN NACHI Koyo Timken Z2V2 Z3V3  
Deep Groove Ball Bearing, OEM

Bearing No. 6310

|                               |                          |
|-------------------------------|--------------------------|
| Size                          | 50x110x27 mm             |
| Bore Diameter                 | 50 mm                    |
| Outer Diameter                | 110 mm                   |
| Width                         | 27 mm                    |
| d                             | 50 mm                    |
| D                             | 110 mm                   |
| B                             | 27 mm                    |
| C                             | 27 mm                    |
| r min.                        | 2 mm                     |
| da min.                       | 60 mm                    |
| Da max.                       | 100 mm                   |
| ra max.                       | 2.0 mm                   |
| Weight                        | 1.07 Kg                  |
| Basic dynamic load rating (C) | 62 kN                    |
| Basic static load rating (C0) | 38 kN                    |
| (Grease) Lubrication Speed    | 6200 r/min               |
| Category                      | Single Row Ball Bearings |
| Inventory                     | 0.0                      |
| Manufacturer Name             | NACHI                    |
| Minimum Buy Quantity          | N/A                      |
| Weight / Kilogram             | 0                        |
| Product Group                 | B00308                   |
| Enclosure                     | Open                     |
| Precision Class               | ABEC 1   ISO P0          |

6310 Bearing 2D drawings and 3D CAD models



## China 608z Bearing Supplier

|                                 |  |
|---------------------------------|--|
| Maximum Capacity / Filling Slot | No   |
| Rolling Element                 | Ball Bearing   |
| Snap Ring                       | No   |
| Internal Special Features       | No   |
| Cage Material                   | Steel  |
| Internal Clearance              | C0-Medium  |
| Inch - Metric                   | Metric   |
| Long Description                | 50MM Bore; 110MM Outside Diameter; 27MM Outer Race Width; Open; Ball Bearing; ABEC 1   ISO P0; No Filling Slot; No Snap Ring; No Internal Special Features; C0-Medium Internal Clearance; Steel Cage |
| Other Features                  | Deep Groove  |
| Category                        | Single Row Ball Bearing  |
| UNSPSC                          | 31171504   |
| Harmonized Tariff Code          | 8482.10.50.68  |
| Noun                            | Bearing  |
| Keyword String                  | Ball   |
| Manufacturer URL                | <a href="http://www.nachiamerica.com">http://www.nachiamerica.com</a>  |
| Outer Race Width                | 1.063 Inch   27 Millimeter   |
| Inner Race Width                | 0 Inch   0 Millimeter  |
| Outside Diameter                | 4.331 Inch   110 Millimeter  |
| Bore                            | 1.969 Inch   50 Millimeter   |
| Bore Type                       | Cylindrical Bore   |
| Configuration                   | Single Row   |
| Bore Size                       | 50 mm  |
| Width                           | 27 mm  |
| Fillet Radius/Chamfer           | 2 mm   |
| Dynamic Load Rating             | 62,000 N   |
|                                 |  |



## China 608z Bearing Supplier

|                         |                   |
|-------------------------|-------------------|
| Static Load Rating      | 38,000 N          |
| Limiting Speed - Grease | 6,400 rpm         |
| Limiting Speed - Oil    | 7,500 rpm         |
| Factor $f_0$            | 13.1              |
| Radial Clearance        | 0.006 to 0.023 mm |
| da (min)                | 60 mm             |
| Da (max)                | 100 mm            |
| ra (max)                | 2 mm              |